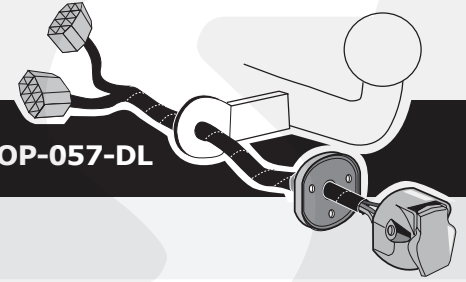


**Opel Vivaro 08 / 2006-
Renaut Trafic 10 / 2006-
Nissan Primastar 10 / 2006-**

Partnr.: OP-057-DL



- | | |
|-------------------------------------------------------------------------------------------------------------------------------------------------------------------------------------------------------------------------------------------------------------------------------------------------------------------------------------------------------------------------------------------------------------------------------------------------------------------------------------------------------------------------------------------------------------------------------------------------------------------------------------------------------------------------------------------------------------------------------------------------------------------------------------------------------------------------------------------------------------------------------------------------------|--------------------------------------------------------------------------------------------------------------------------------------------------------------------------------------------------------------------------------------------------------------------------------------------------------------------------------------------------------------------------------------------------------------------------------------------------------------------------------------------------------------------------------------------------------------------------------------------------------------------------------------------------------------------------------------------------------------------------------------------------------------------|
| <p>(DE) Einbauanleitung Elektrosatz Anhängervorrichtung mit 13-P Steckdose lt. DIN/ISO Norm 11446</p> <p>(FR) Instructions de montage du faisceau électrique pour crochet d'attelage conforme à la norme DIN/ISO 11446 prise 13-V.</p> <p>(NL) Montage-handleiding elektrokabelset voor trekhaak met 13-P contactdoos vlg. DIN/ISO norm 11446.</p> <p>(GB) Fitting instructions electric wiring kit tow bar with 13-P socket up to DIN/ISO Norm 11446.</p> <p>(ES) Instrucciones de montaje de kit eléctrico para engancho de remolque con caja de conexiones 13-P según norma DIN/ISO 11446.</p> <p>(IT) Istruzioni di montaggio di set di cavi elettrici per gancio da traino con zoccolo a 13-P conforme alla norma DIN/ISO 11446.</p> <p>(SE) Monteringsanvisningar elkabelsats för dragkrok med 13-P kontaktdosa enligt DIN/ISO norm 11446.</p> | <p>(CZ) Montážní pokyny: souprava pro elektrické propojení tažné tyče s 13-P zásuvkou do normy DIN/ISO 11446.</p> <p>(DK) Monteringsvejledninger for det elektriske ledningsføringsæt for trækstang med 13-N stikdåse, DIN/ISO, norm 11446.</p> <p>(FI) Ohjeet vetokoukun sähkökaapelisarjan asentamiseen, jossa on DIN/ISO 11446 mukainen 13-N liitin.</p> <p>(GR) Οδηγίες συναρμολόγησης ηλεκτρικού σετ καλωδίων μπάρας ρυμούλκησης με υποδοχή 13-P μέχρι DIN/ISO Κανόνας 11446.</p> <p>(NO) Monteringsanviser elkabelsett for trekrok med 13-P koblingsboks ifølge DIN/ISO norm 11446.</p> <p>(PL) Instrukcje montażu zestawu okablowania elektrycznego dyszla holowniczego z 13-stykowym gniazdem DIN/ISO 11446.</p> |
|-------------------------------------------------------------------------------------------------------------------------------------------------------------------------------------------------------------------------------------------------------------------------------------------------------------------------------------------------------------------------------------------------------------------------------------------------------------------------------------------------------------------------------------------------------------------------------------------------------------------------------------------------------------------------------------------------------------------------------------------------------------------------------------------------------------------------------------------------------------------------------------------------------|--------------------------------------------------------------------------------------------------------------------------------------------------------------------------------------------------------------------------------------------------------------------------------------------------------------------------------------------------------------------------------------------------------------------------------------------------------------------------------------------------------------------------------------------------------------------------------------------------------------------------------------------------------------------------------------------------------------------------------------------------------------------|

- | | |
|----------------------------------------------------------------------------------------------------------------------------------------------------------------------------------------------------------------------------------------------------------------------------------------------------------------------------------------------------------------------------------------------------------------------------------------------------------------------------------------------------------------------------------------------------------------------------------------------------------------------------------------------------------------------------------------------------------------------------------------------------------------------------------------------------------------------------------------------------------------------------------------------------------------------------------------------------------------------------------------------------------------------------------------------------------------------------------------------------------------------------------------------------------------------------------------------------------------------------------------------------------------------------------------------------------------------------------------------------------------------------------------------------------------------------------------------------------------------------------------------------------------------------------------------------------------------------------------------------------------------------------------------------------------------------------------------------------------------------------------------------------------------------------------------------------------------------------------------------------------------------------------------------------------------------------------------------------------------------------------------------------------------------------------------------------------------------------------------------------------------------------------------------------------------------------------------------------------------------------------------------------------------------------------------------------------------------------------------------------------------------------------------------------------------------------------------------------------------------------------------------------------------------------------------------------------------------------------------------------------------------------------------------------------------------------------------------------------------------------------------------------------------------------------------------------------------------------------------------------------------------------------------------------------------------------------------------------------------------------------------------------------------------------------------------------------------------------------------------------------------------------------------------------------------------------------------------------------------------------------------------------------------------------|------------------------------------------------------------------------------------------------------------------------------------------------------------------------------------------------------------------------------------------------------------------------------------------------------------------------------------------------------------------------------------------------------------------------------------------------------------------------------------------------------------------------------------------------------------------------------------------------------------------------------------------------------------------------------------------------------------------------------------------------------------------------------------------------------------------------------------------------------------------------------------------------------------------------------------------------------------------------------------------------------------------------------------------------------------------------------------------------------------------------------------------------------------------------------------------------------------------------------------------------------------------------------------------------------------------------------------------------------------------------------------------------------------------------------------------------------------------------------------------------------------------------------------------------------------------------------------------------------------------------------------------------------------------------------------------------------------------------------------------------------------------------------------------------------------------------------------------------------------------------------------------------------------------------------------------------------------------------------------------------------------------------------------------------------------------------------------------------------------------------|
| <p>(DE) - Wir weisen ausdrücklich darauf hin, dass eine unsachgemäße und nicht in einer Fachwerkstatt durchgeführte Montage einen Verzicht auf Entschädigung jeglicher Art insbesondere bezüglich des Produkthaftpflichtrechts zur Folge hat</p> <p>(FR) - Il est expressément prévu qu' on ne saurait se prévaloir d'un quelconque préjudice contractuel ou réhibitoire si le montage avait été fait en dépit des dites instructions ou dans un garage ne disposant pas des équipements adéquats.</p> <p>(NL) - Wij wijzen er met nadruk op, dat ondeskundige en niet door een vakkundige werkplaats uitgevoerde montage tot gevolg heeft dat daardoor ieder recht op schadevergoeding, ook op wettelijke aansprakelijkheid inzake producten, vervalt.</p> <p>(GB) - We would expressly point out that assembly not carried out properly by a competent installer will result in cancellation of any right to damage compensation, in particular those arising by virtue of the product liability act.</p> <p>(ES) - El montaje inapropiado y efectuado por personal no cualificado originará la pérdida de todo derecho a indemnización o la expiración de toda responsabilidad civil con respecto al producto.</p> <p>(IT) - Sottolineiamo espressamente che un montaggio inadeguato ed eseguito da un'officina non specializzata ha come conseguenza il decadere di qualsiasi diritto al risarcimento danni, nonché alla responsabilità legale relativa ai prodotti.</p> <p>(SE) - Vi påpekar med eftertryck att all rätt till skadeersättning och all laglig ansvarighet förfaller om monteringen inte har utförts på rätt sätt och av en professionell verkstad.</p> <p>(CZ) - Výslovně zdůrazňujeme, že jakákoli montáž, která není provedená ve specializované dílně, má za následek odvolání nároků na kompenzaci jakéhokoliv druhu, obzvláště vyplývajících ze zákona o odpovědnosti za způsobené škody.</p> <p>(DK) - Vi ønsker at gøre udtrykkeligt opmærksom på at forkert samling, der ikke er udført af et specialiseret værksted, resulterer i bortfaldelse af kompenseringskrav af alle slags, i særdeles krav der måtte opstå omkring det lovpligtige ansvar.</p> <p>(FI) - Korostamme, että kaikki oikeudet vahinkokorvaukseen kuten myös valmistajan laillinen vastuu raukeavatt, mikäli asennusta ei ole toteutettu oikealla tavalla eikä ammattitaitoisen asiantuntijan toimesta.</p> <p>(GR) - Επισημαίνουμε κατηγορηματικά ότι οποιαδήποτε εσφαλμένη συναρμολόγηση, η οποία δεν έχει πραγματοποιηθεί ειδικό εργαστήριο θα οδηγήσει σε απονοίηση των αξιώσεων επιβολής αποζημιώσεων οποιαδήποτε είδους, ειδικά όσα προκύπτουν από το νόμο ευθύνης προϊόντων.</p> <p>(NO) - Vi påpeker ettertrykkelig at all rett til skadeerstatning og rettslig ansvar forfaller dersom monteringen ikke er blitt utført på riktig måte og av et profesjonelt verksted.</p> <p>(PL) - Chcielibyśmy wyraźnie zaznaczyć, iż wszelki nieprawidłowy montaż, który nie jest wykonywany w specjalistycznym warsztacie pociąga za sobą utratę możliwości dochodzenia wszelkiego typu roszczeń, w szczególności tych wynikających z odpowiedzialności producenta za swój produkt.</p> | <p>- Technische Änderungen vorbehalten.</p> <p>- Widerstand nur gemäß der Tabelle auf dem Anhänger verwenden.</p> <p>- Sous réserve de modifications techniques.</p> <p>- Ne excédez pas la charge maximale, indiquée dans le tableau.</p> <p>- Technische wijzigingen voorbehouden.</p> <p>- Gebruik alleen belasting volgens aansluittabel op het getrokken voertuig.</p> <p>- Contents of these kits and their fitting manuals are subject to alteration without notice, please ensure that these instructions are read and fully understood before commencing installation.</p> <p>- Do not overload circuits; the maximum loads per connection are detailed in this manual.</p> <p>- Nos reservamos el derecho a efectuar modificaciones técnicas.</p> <p>- Utilice sólo cargas de acuerdo a la tabla de conexión del vehículo remolcado.</p> <p>- Ci si riserva il diritto di apportare modifiche tecniche.</p> <p>- Utilizzare esclusivamente un carico conforme alla tabella degli allacci relativa al veicolo in questione.</p> <p>- Tekniska ändringar förbehålles.</p> <p>- Använd endast belastning enligt anslutningstabellen på det dragna fordonet.</p> <p>- Změny mohou být provedeny bez oznámení.</p> <p>- Používejte pouze při maximálním nabití podle tabulky na tažném vozidle.</p> <p>- Kan ændres uden varsel.</p> <p>- Brug kun den maksimale belastning, i overensstemmelse med forbindelsestabelen for bugserede køretøjer.</p> <p>- Oikeus teknisiin muutoksiin ilman erillistä huomautusta pidetään.</p> <p>- Kuormita työvirtapiiriä ainoastaan hinattavan ajoneuvon kytkentäkaavion mukaisesti.</p> <p>- Μπορεί να τροποποιηθεί χωρίς προηγούμενη ειδοποίηση.</p> <p>- Χρησιμοποιείτε μόνο μέγιστο ηλεκτρικό φορτίο σύμφωνα με τον πίνακα σύνδεσης στο ρυμούλκούμενο όχημα.</p> <p>- Tekniske endringer forbeholdes. - Overskrid ikke grensene anviset i tilkoblingstabellen på tilhengeren eller det tilkoblede kjøretøyet.</p> <p>- Podlega zmianom bez powiadomienia.</p> <p>- Używać tylko takiego maksymalnego obciążenia które wynika z tabliczki połączeń holowanego pojazdu.</p> |
|----------------------------------------------------------------------------------------------------------------------------------------------------------------------------------------------------------------------------------------------------------------------------------------------------------------------------------------------------------------------------------------------------------------------------------------------------------------------------------------------------------------------------------------------------------------------------------------------------------------------------------------------------------------------------------------------------------------------------------------------------------------------------------------------------------------------------------------------------------------------------------------------------------------------------------------------------------------------------------------------------------------------------------------------------------------------------------------------------------------------------------------------------------------------------------------------------------------------------------------------------------------------------------------------------------------------------------------------------------------------------------------------------------------------------------------------------------------------------------------------------------------------------------------------------------------------------------------------------------------------------------------------------------------------------------------------------------------------------------------------------------------------------------------------------------------------------------------------------------------------------------------------------------------------------------------------------------------------------------------------------------------------------------------------------------------------------------------------------------------------------------------------------------------------------------------------------------------------------------------------------------------------------------------------------------------------------------------------------------------------------------------------------------------------------------------------------------------------------------------------------------------------------------------------------------------------------------------------------------------------------------------------------------------------------------------------------------------------------------------------------------------------------------------------------------------------------------------------------------------------------------------------------------------------------------------------------------------------------------------------------------------------------------------------------------------------------------------------------------------------------------------------------------------------------------------------------------------------------------------------------------------------------------|------------------------------------------------------------------------------------------------------------------------------------------------------------------------------------------------------------------------------------------------------------------------------------------------------------------------------------------------------------------------------------------------------------------------------------------------------------------------------------------------------------------------------------------------------------------------------------------------------------------------------------------------------------------------------------------------------------------------------------------------------------------------------------------------------------------------------------------------------------------------------------------------------------------------------------------------------------------------------------------------------------------------------------------------------------------------------------------------------------------------------------------------------------------------------------------------------------------------------------------------------------------------------------------------------------------------------------------------------------------------------------------------------------------------------------------------------------------------------------------------------------------------------------------------------------------------------------------------------------------------------------------------------------------------------------------------------------------------------------------------------------------------------------------------------------------------------------------------------------------------------------------------------------------------------------------------------------------------------------------------------------------------------------------------------------------------------------------------------------------------|

Einzelteilliste

Liste de pièces

Onderdelenlijst

Part list

Lista de componentes

Elenco componenti

Dellista

Seznam dílů

Del-liste

Osaluettelo

Κατάλογος εξαρτημάτων

Delliste

Lista części

DE

FR

NL

GB

ES

IT

SE

CZ

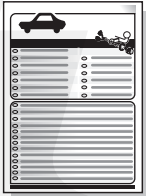
DK

FI

GR

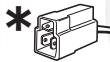
NO

PL



L2 Only for vehicles with P.D.C.

OPTION
+30/+15



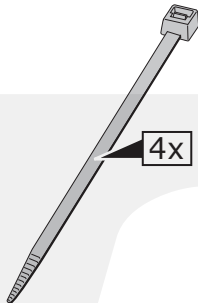
L1

L3 Only for vehicles with P.D.C.

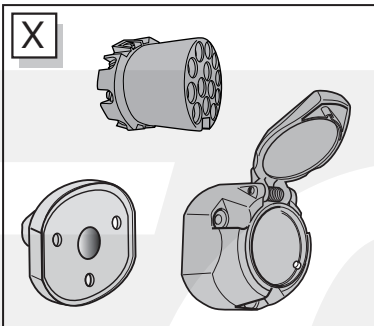
L4

G

X

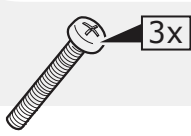


4x



vorbereitung für
préparation pour
voorbereiding voor
preparation for
preparazione per
příprava pro
förberedelse for
valmistelu varten
Προετοιμασία για
förberedelse på
przygotowanie do

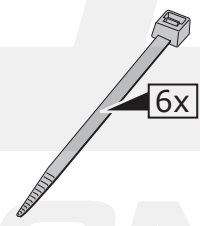
	+30	DE Braun/Weiß	CZ Hnědo/Bílá
	+15	FR Marron/Blanc	DK Brun/Hvid
		NL Bruin/Wit	FI Ruskea/Valkoinen
		GB Brown/White	GR Καφέ/Λευκό
		ES Marrón/Blanco	NO Brun/Hvit
		IT Marrone/Bianco	PL Brązowy/Biały
		SE Brun/Vit	
		DE Rot	CZ Červená
		FR Rouge	DK Rød
		NL Rood	FI Punainen
		GB Red	GR Κόκκινο
		ES Rojo	NO Rød
		IT Rosso	PL Czerwony
		SE Röd	



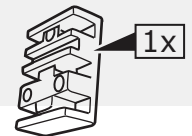
3x



3x

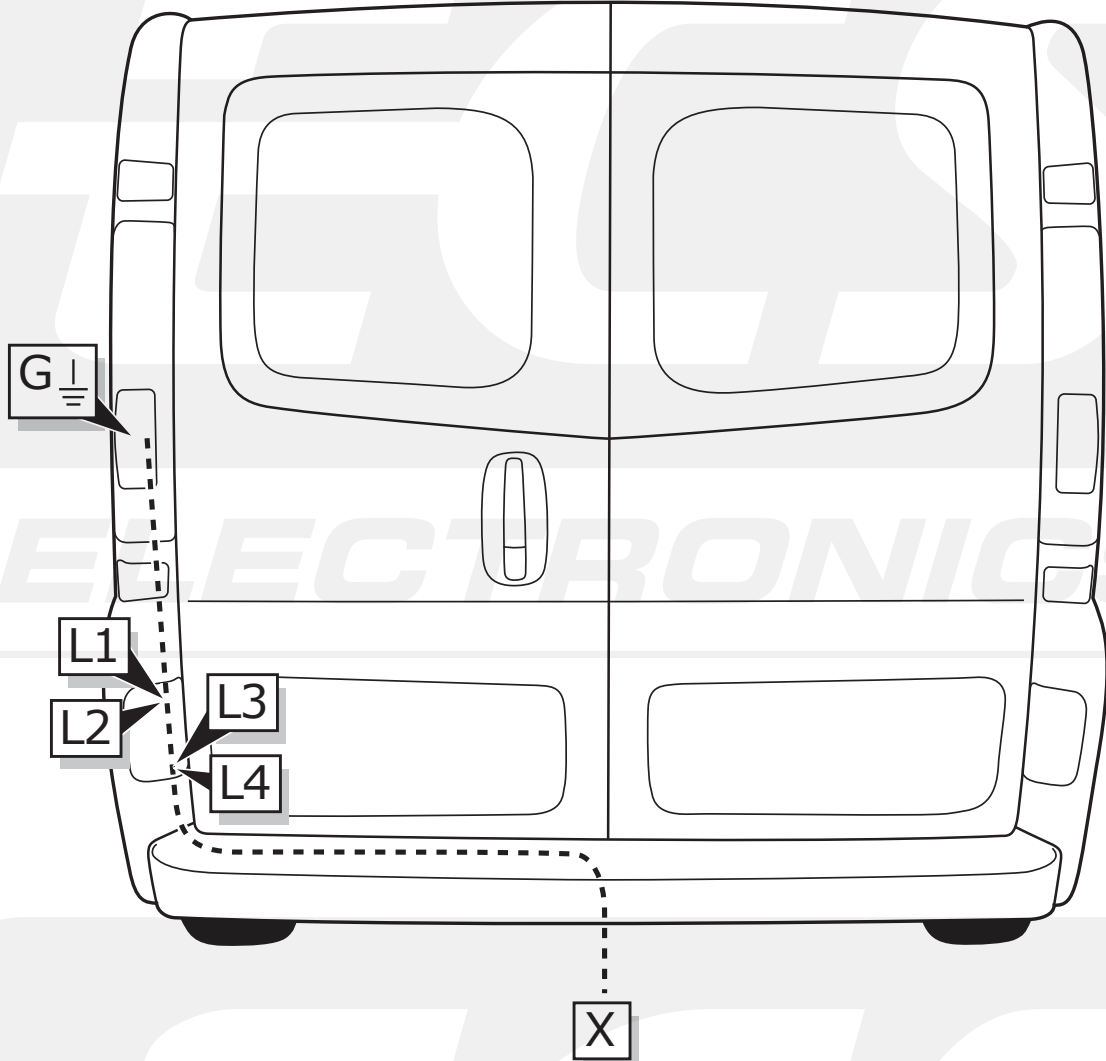


6x

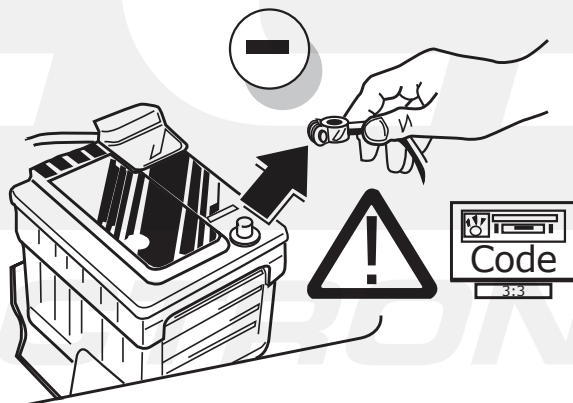


1x

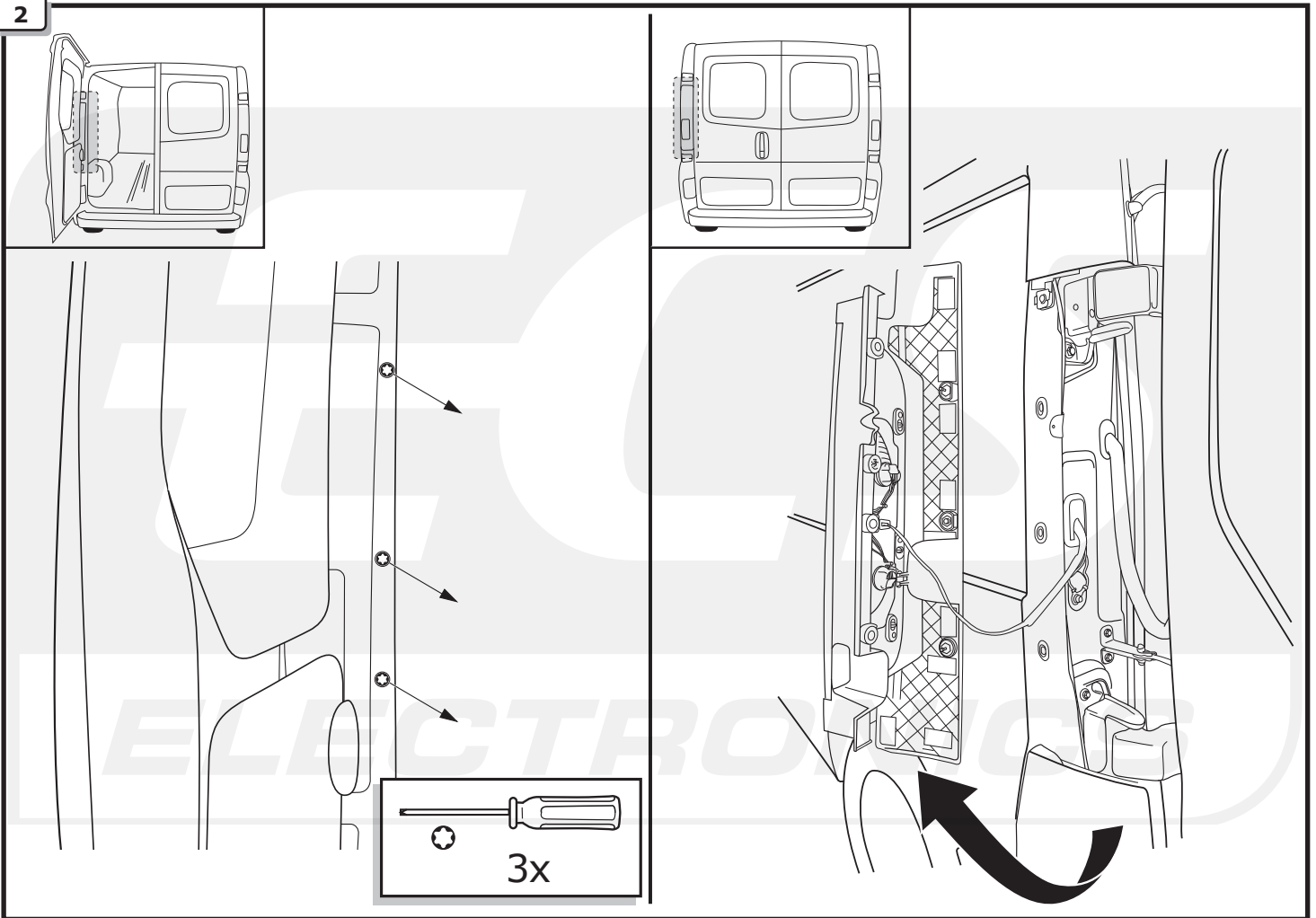
ELECTRONICS



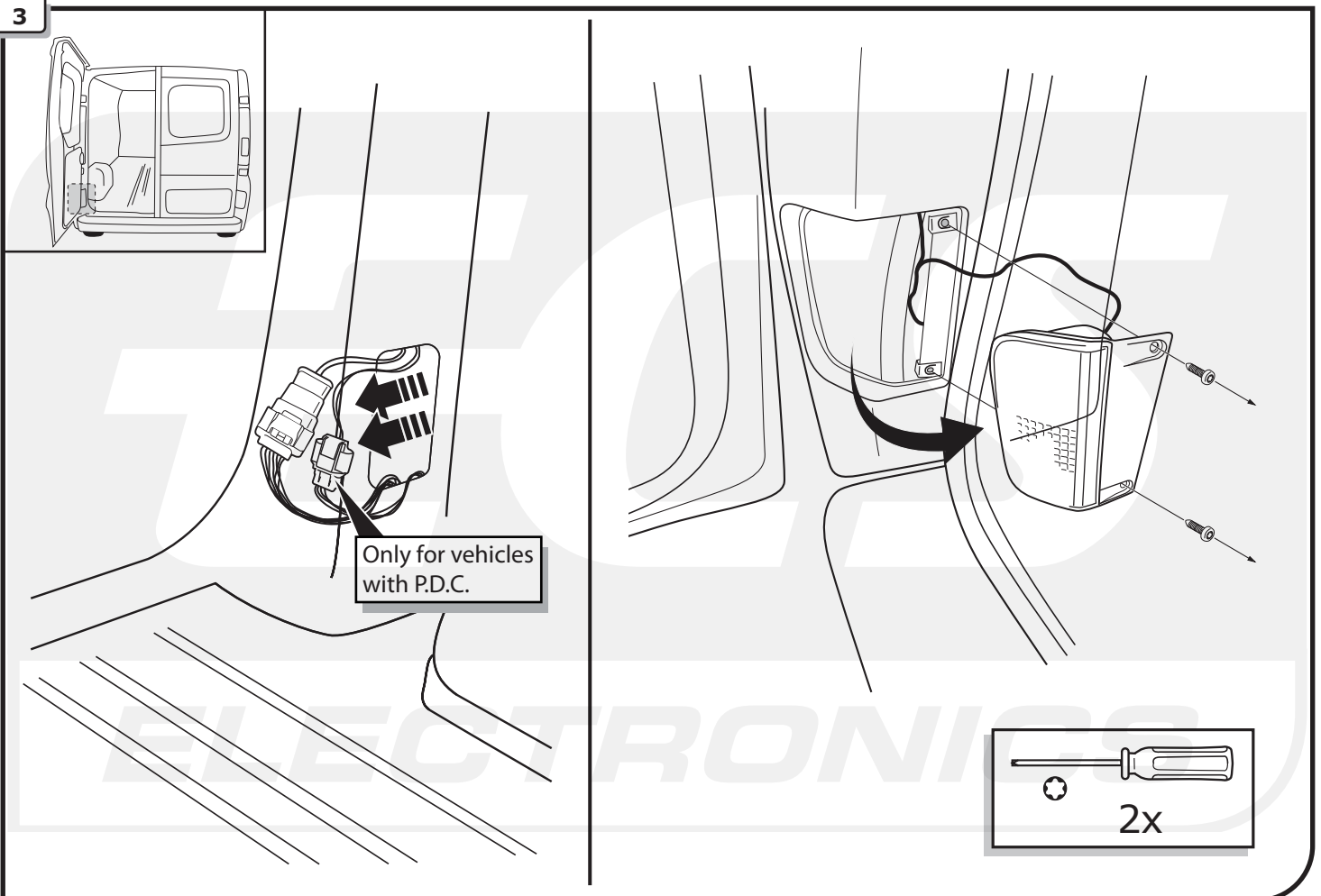
1

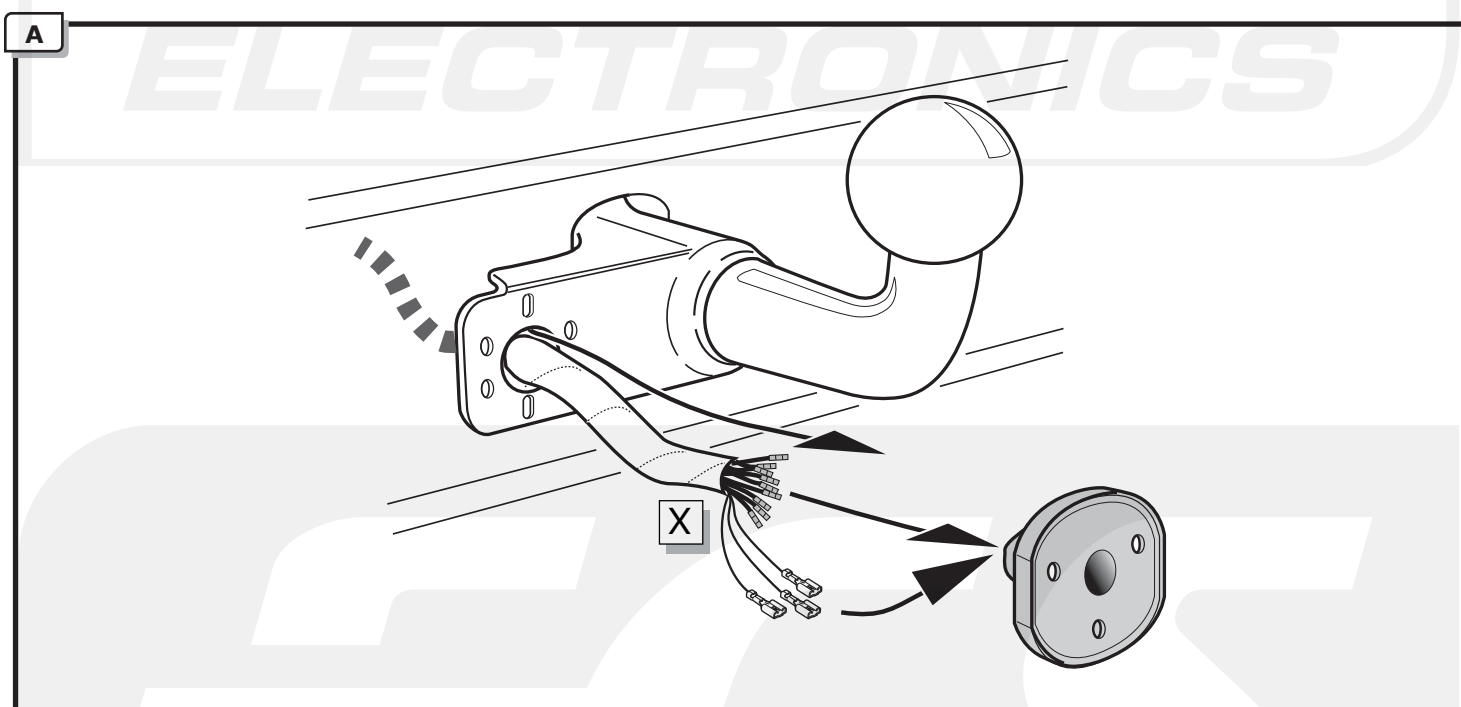
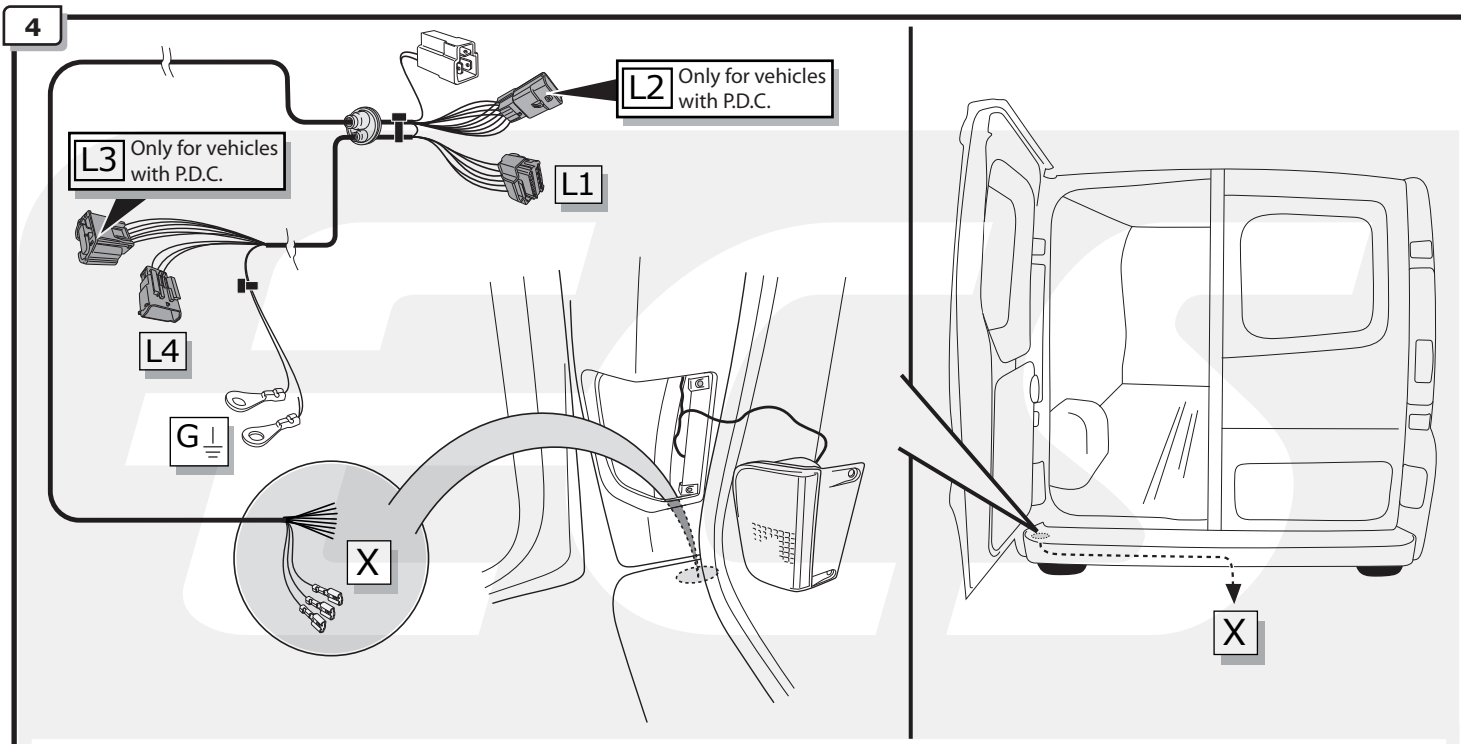


2




3





INFO

(DE) Anschluss Steckdose	(SE) Anslutning kontaktdosa
(FR) Connection de la prise	(CZ) Objímkový konektor
(NL) Contactdoos aansluiting	(DK) Stikdåse forbindelse
(GB) Socket connection	(FI) Pistorasia liitäntä
(ES) Conexión de la caja de enchufe	(GR) Υποδοχή σύνδεσης
(IT) Allaccio zoccolo	(NO) Tilkobling koblingsboks
	(PL) Połączenie przez gniazdo

 **Pag. 11**

B

DE	Grau
FR	Gris
NL	Grijs
GB	Grey
ES	Gris
IT	Grigio
SE	Grå
IT	Šedá
DK	Grå
FI	Harmaa
GR	Γκρι
NO	Grå
PL	Szary

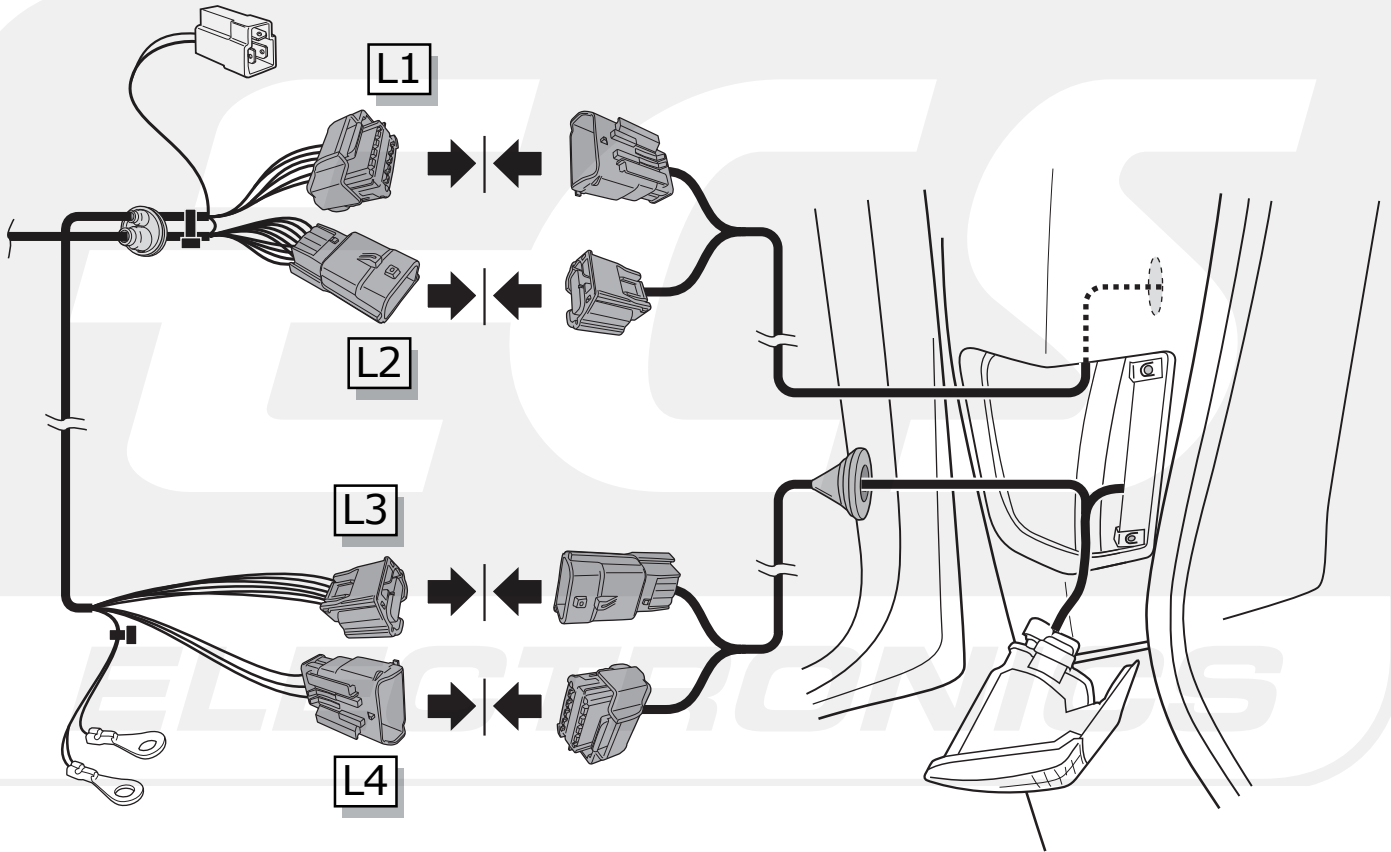
DE	Rot/Blau
FR	Rouge/Blue
NL	Rood/Blauw
GB	Red/Blue
ES	Roj/Azul
IT	Rosso/Blu
SE	Röd/Blå
DK	Röd/Blå
CZ	Červeno/Modrá
FI	Rod/Blå
GR	Punainen/Sininen
NO	Kökivno/Mnle
PL	Röd/Blå
PL	Czerwony/Niebieski

DE	Blau
FR	Blue
NL	Blauw
GB	Blue
ES	Azul
IT	Blu
SE	Blå
CZ	Modrá
DK	Blå
FI	Sininen
GR	Mnle
NO	Blå
PL	Niebieski

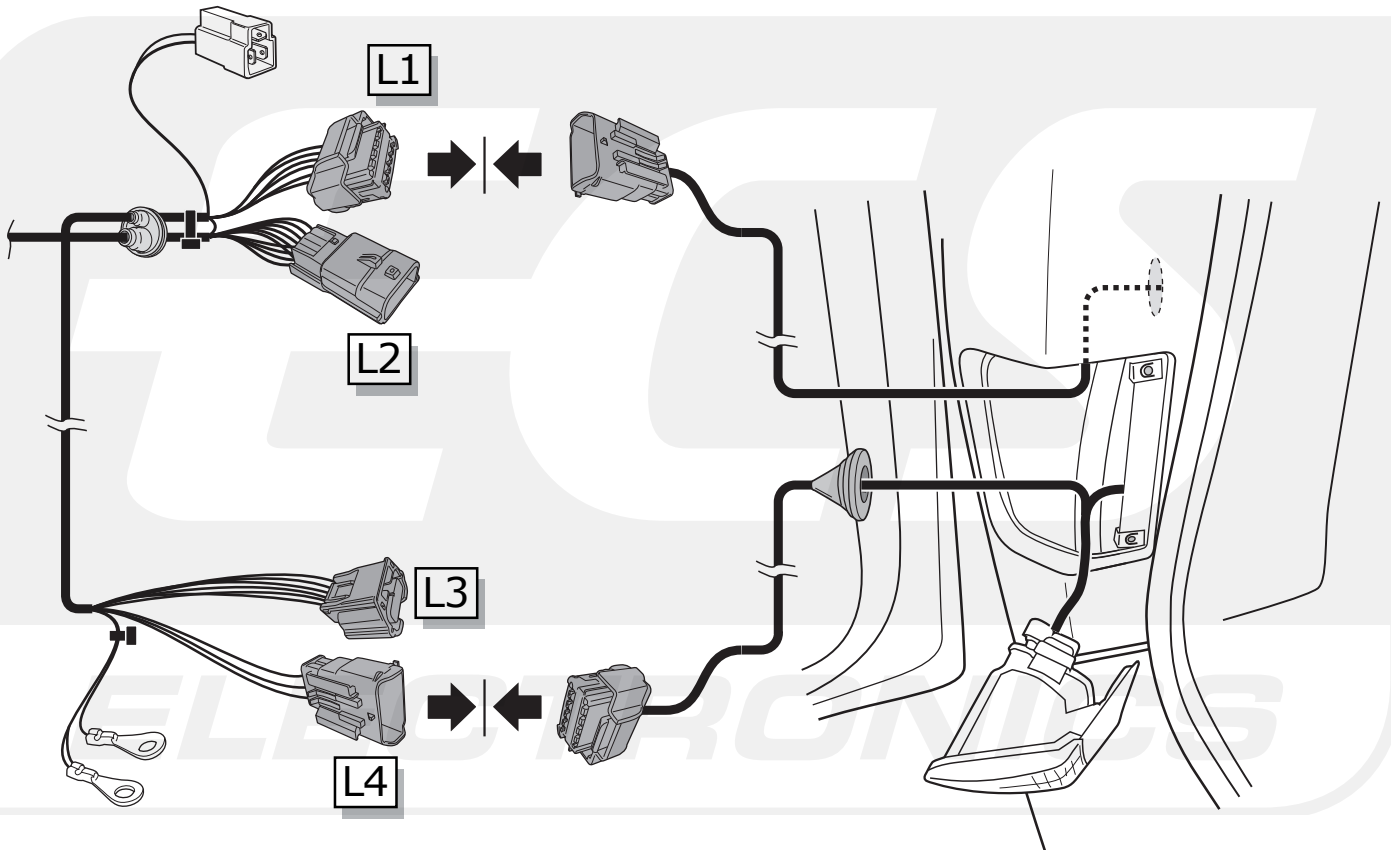
C
D
5

Only for vehicles with P.D.C.

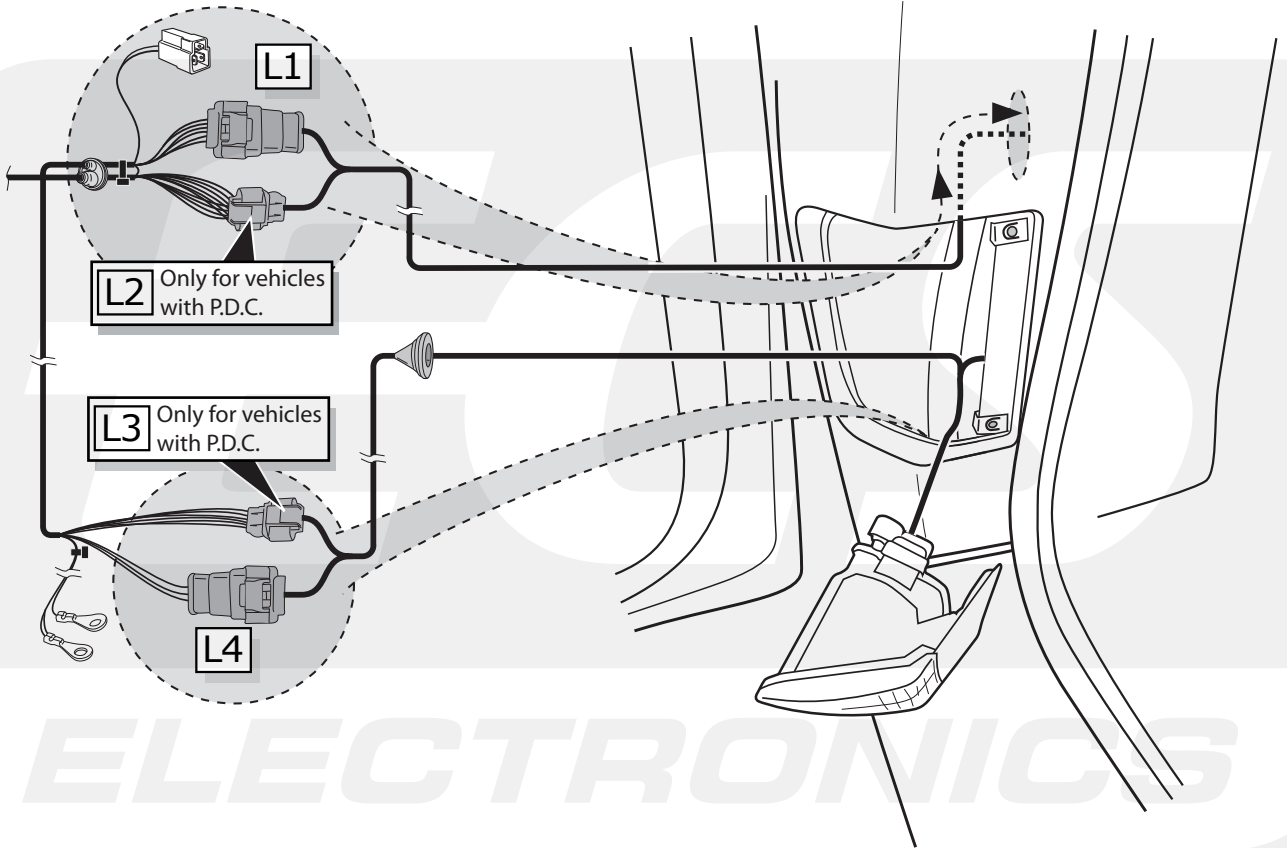
OPTION 1: For vehicles with P.D.C.



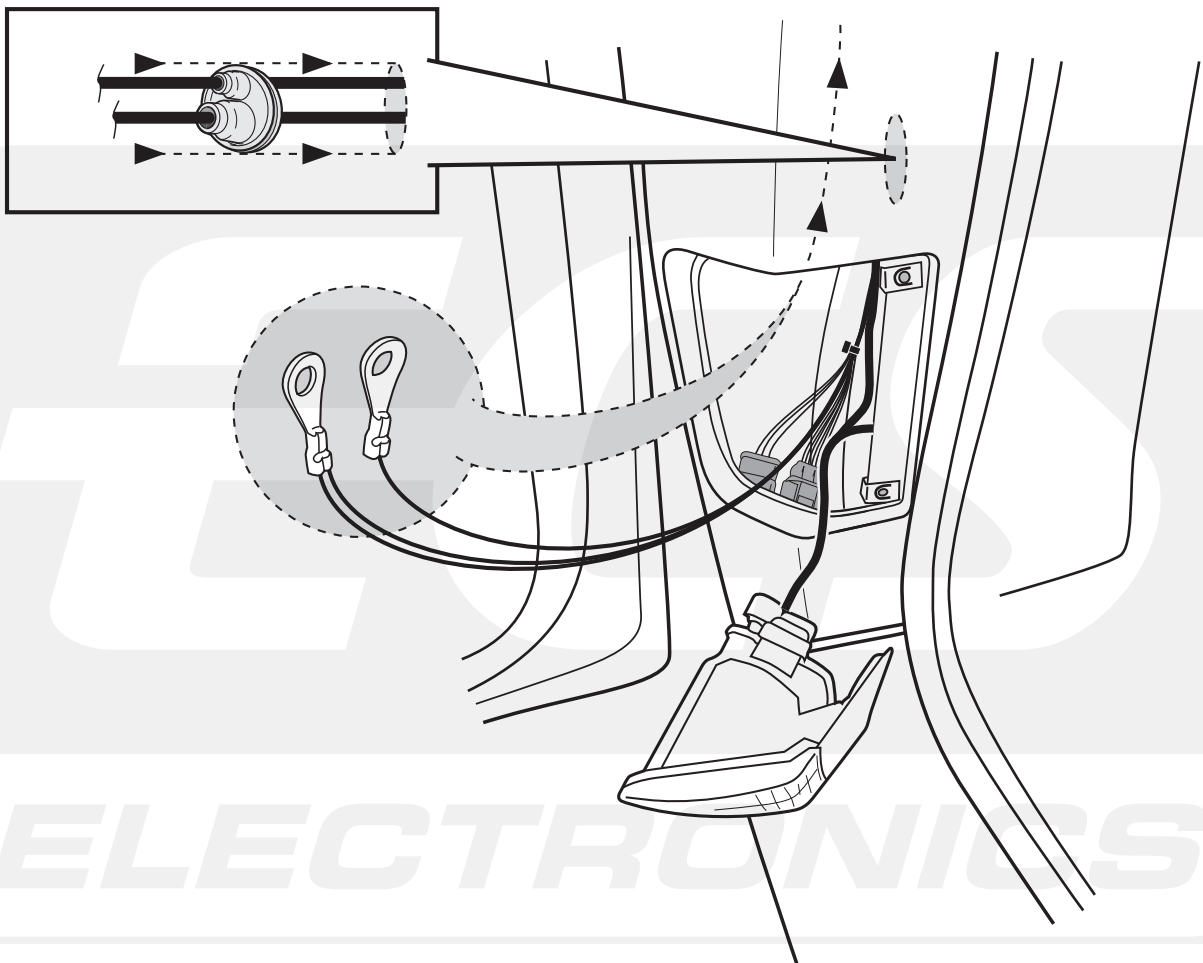
OPTION 2: For vehicles without P.D.C.

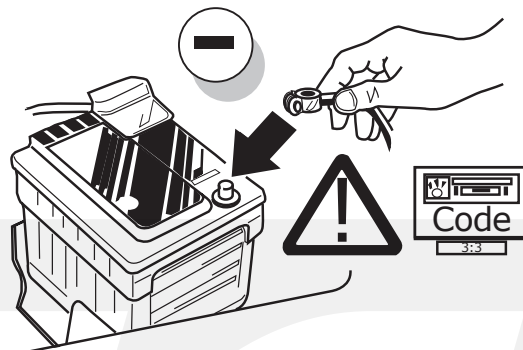
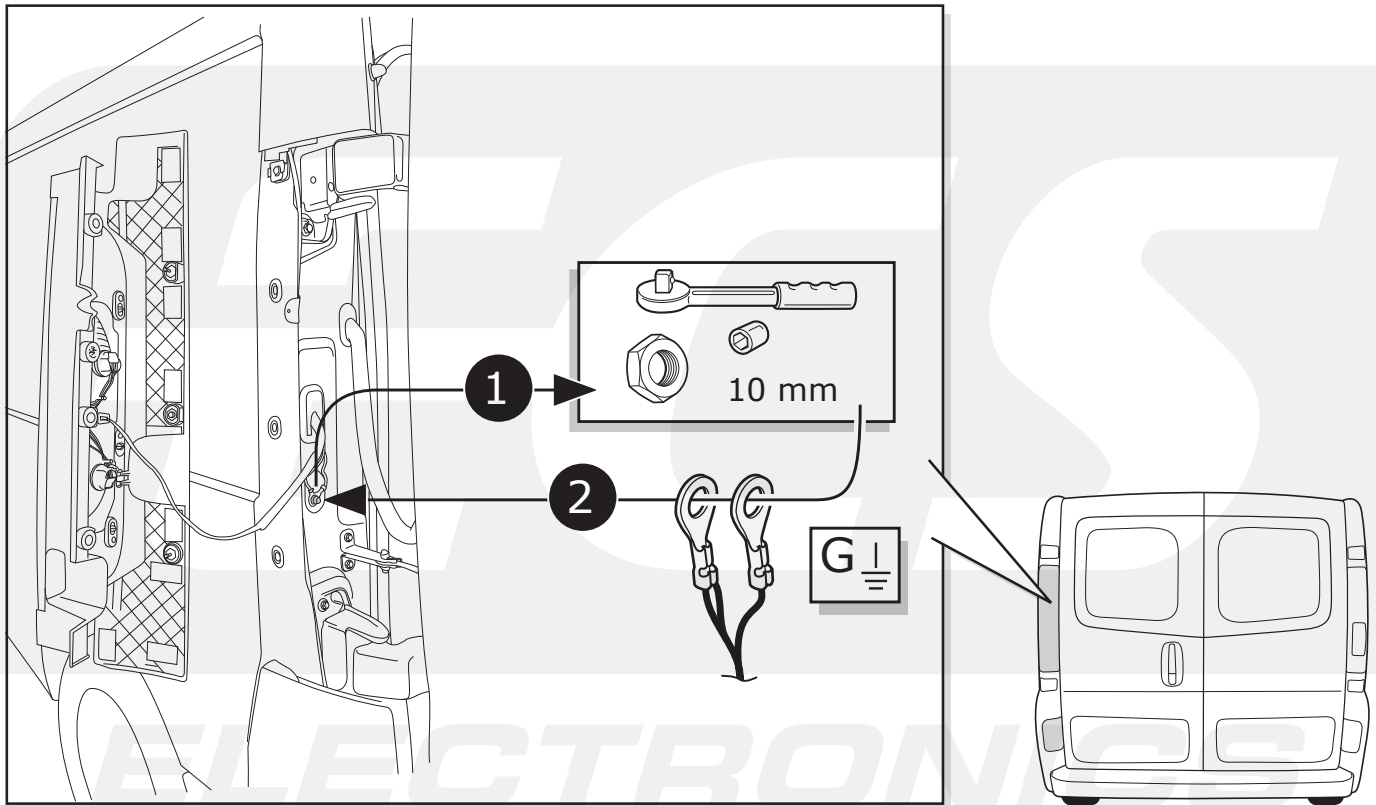


7



8





DE FUNKTIONEN KONTROLLIEREN MIT EINEM PRÜFGERÄT MIT WIDERSTAND ODER MIT LEUCHTEN MIT DER GENAUEN WATTZAHL!

FR CONTRÔLER LES FONCTIONS AVEC UNE BOÎTE DE TEST AVEC DE LA CHARGE OU DES LAMPES AVEC LA QUANTITÉ CORRECTE DE WATT!

NL CONTROLEER FUNCTIES MET EEN TESTER MET BELASTING OF LAMPEN MET DE JUISTE WATTAGE!

GB TEST ALL CIRCUIT FUNCTIONS WITH A TESTBOX WITH THE CORRECT POWER LOAD FOR EACH UNIT. A TESTBOX ON WHICH ONLY LEDs ARE USED CAN NOT BE USED IN THIS CASE

ES ¡CONTROLAR FUNCIONES CON UN TESTER CON CARGA O LUCES CON EL CORRECTO WATTAJE!

IT CONTROLLA FUNZIONI CON UN TESTER CON CARICO O LAMPADRE DEL GIUSTO WATT-TAGGIO!

SE KONTROLLERA FUNKTIONERNA MED EN TESTARE MED BELASTNING ELLER LAMPOR MED RÄTT WATT-VÄRDE!

CZ OVĚŘTE FUNKCE POMOČÍ TESTOVACÍHO BOXU NEBO SVĚTEL S PŘÍSLUŠNÝM VÝKONEM!

DK CHECK FUNKTIONERNE MED EN TESTBOKS, MED BELASTNING ELLER MED LYGTTER MED DET KORREKTE ANTAL WATT!

FI TARKISTA TOIMINNOT KÄYTTÄMÄLLÄ TESTILAITE, JOSSA ON OIKEATEHOINEN KUORMITUS TAI OIKEATEHOISET LAMPUT!

GR ΕΛΕΓΞΤΕ ΤΙΣ ΛΕΙΤΟΥΡΓΙΕΣ ΜΕ ΉΝΑ ΚΙΒΩΤΙΟ ΔΟΚΙΜΗΣ ΜΕ ΦΟΡΤΙΟ Ή ΛΑΜΠΙΤΗΡΕΣ ΣΩΣΤΗΣ ΠΟΣΟΤΗΤΑΣ ΒΑΤ!

NO KONTROLER FUNKSJONENE MED EN TESTER MED BELASTNING ELLER LYSPÆRER MED RIKTIG WATTVERDI!

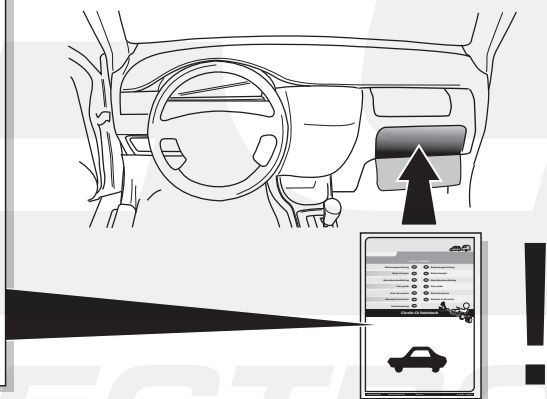
PL SPRAWDŹ FUNKCJE UŻYWAJĄC SKRZYŃKI TESTOWEJ Z OBCIĄŻENIEM LUB PODŁĄCZONYMI ŻARÓWKAMI O ODPOWIEDNIEJ MOCY!

INFO

- | | |
|----------------------------------|--------------------------------------|
| (DE) Einzelteile wieder einbauen | (CZ) Znovu zasuňte obložení |
| (FR) Montez les part enlevées | (DK) Påsæt beklædningen |
| (NL) Terug plaatsen onderdelen | (FI) Asenna verhoilut takaisin |
| (GB) Reinstall linings | (GR) Τοποθετήστε ξανά τις επενδύσεις |
| (ES) Reinstalar componentes | (NO) Sett tilbake deler |
| (IT) Rimetti a posto componenti | (PL) Załóżyc wykładzinę |
| (SE) Sätt tillbaka delar | |

12

- | |
|-----------------------------|
| (DE) Gebrauchsanleitung. |
| (FR) Mode d'emploi. |
| (NL) Gebruikershandleiding. |
| (GB) User guide. |
| (ES) Guía del usuario. |
| (IT) Manuale di istruzioni. |
| (SE) Bruksanvisning. |
| (CZ) Uživatelská příručka. |
| (DK) Brugervejledning. |
| (FI) Käyttöohjeet. |
| (GR) Οδηγός χρήστη. |
| (NO) Brukerveiledning. |
| (PL) Instrukcja obsługi. |



00800
CALL2ECS
22 55 23 27

09.00 - 18.00
 Monday - Friday

www.ecs-electronics.nl

ECS

ELECTRONICS

(DE) Anschluss Steckdose
 (FR) Connection de la prise
 (NL) Contactdoos aansluiting
 (GB) Socket connection

(ES) Conexión de la caja de enchufe
 (IT) Allaccio zoccolo
 (SE) Anslutning kontaktdosa

(CZ) Objímkový konektor
 (DK) Stikdåse forbindelse
 (FI) Pistorasia liitäntä
 (GR) Υποδοχή σύνδεσης
 (NO) Tilkobling koblingsboks
 (PL) Połączenie przez gniazdo

DIN/ISO 11446	↩	⚡	≡ 1-8	↗	☀	⊙	☀	☀	Reverse	30+ 15+ 15	10	≡ 10	—	≡ 9
Pmax	1/L	2	3/31	4/R	5/58-R	6/54	7/58-L	8	9	10	11	12	13	
	21W	2x21W	21W	21W	52W	3x21W	52W	2x21W	180W/15Amp.	180W/15Amp.	180W/15Amp.			
(DE)	Gelb	Blau	Weiß	Grün	Braun	Rot (1,00mm ²)	Schwarz	Schwarz/ Rot	Braun/ Weiß	Rot (2,50mm ²)	Weiß	-	Weiß	
(FR)	Jaune	Bleu	Blanc	Vert	Marron	Rouge (1,00mm ²)	Noir	Noir/ Rouge	Marron/ Blanc	Rouge (2,50mm ²)	Blanc	-	Blanc	
(NL)	Geel	Blauw	Wit	Groen	Bruin	Rood (1,00mm ²)	Zwart	Zwart/ Rood	Bruin/ Wit	Rood (2,50mm ²)	Wit	-	Wit	
(GB)	Yellow	Blue	White	Green	Brown	Red (1,00mm ²)	Black	Black/ Red	Brown/ White	Red (2,50mm ²)	White	-	White	
(ES)	Amarillo	Azul	Blanco	Verde	Marrón	Rojo (1,00mm ²)	Negro	Negro/ Rojo	Marrón/ Blanco	Rojo (2,50mm ²)	Blanco	-	Blanco	
(IT)	Giallo	Blu	Bianco	Verde	Marrone	Rosso (1,00mm ²)	Nero	Nero/ Rosso	Marrone/ Bianco	Rosso (2,50mm ²)	Bianco	-	Bianco	
(SE)	Gul	Blä	Vit	Grön	Brun	Röd (1,00mm ²)	Svart	Svart/ Röd	Brun/ Vit	Röd (2,50mm ²)	Vit	-	Vit	
(CZ)	Žlutá	Modrá	Bílá	Zelená	Hnědá	Červená (1,00mm ²)	Černá	Černo/ Červená	Hnědo/ Bílá	Červená (2,50mm ²)	Bílá	-	Bílá	
(DK)	Gul	Blaå	Hvid	Grøn	Brun	Rød (1,00mm ²)	Sort	Sort/ Rød	Brun/ Hvid	Rød (2,50mm ²)	Hvid	-	Hvid	
(FI)	keltainen	Sininen	Valkoinen	Vihreä	Ruskea	Punainen (1,00mm ²)	Musta	Musta/ Punainen	Ruskea/ Valkoinen	Punainen (2,50mm ²)	Valkoinen	-	Valkoinen	
(GR)	Κίτρινο	Μπλε	Λευκό	Πράσινο	Καφέ	Κόκκινο (1,00mm ²)	Μαύρο	Μαύρο/ Κόκκινο	Καφέ/ Λευκό	Κόκκινο (2,50mm ²)	Λευκό	-	Λευκό	
(NO)	Gul	Blaå	Hvit	Grønn	Brun	Rød (1,00mm ²)	Svart	Svart/ Rød	Brun/ Hvit	Rød (2,50mm ²)	Hvit	-	Hvit	
(PL)	Żółty	Niebieski	Biały	Zielony	Brazowy	Czerwony (1,00mm ²)	Czarny	Czarny/ Czerwony	Brazowy/ Biały	Czerwony (2,50mm ²)	Biały	-	Biały	

13-polige Kabelsätze mit C2 Überwachung.

Ein defektes Blinklicht an Fahrzeug und/oder Anhänger wird durch ein schnelleres Blinken der anderen Blinklichter angezeigt (laut europäischer Richtlinie 76/756/EEC § 4.5 und StVZO § 54).

DE Die Funktion der C2 Überwachung kann durch Anschließen eines Anhängers (oder einer Prüftafel) und Betätigung des Blinkers mit einem herausgedrehten Blinklicht geprüft werden. Die anderen Blinklichter blinken dann schneller. (Achtung: Eine Prüftafel, bei der ausschließlich LED's als Widerstand benutzt werden, kann hierfür nicht verwendet werden).

Faisceau électrique 13 pôles équipé avec contrôle C2

Un clignotant défectueux du véhicule ou de la caravane/remorque est signalé par le clignotement plus rapide des autres lampes clignotantes (Suivant les directives européennes 76/756 EEC § 4.5 et StVZO § 54).

FR Le fonctionnement du contrôle C2 peut être contrôlé en branchant une remorque/caravane (ou boîte test) et en indiquant une direction avec une lampe clignotante dévissée. Les autres lampes clignotantes clignotent alors plus rapidement. (Attention: une boîte test où ne sont utilisés que les témoins de contrôle comme charge, ne peut être utilisé dans ce cas.)

13-polige kabelsets met C2-controle.

Een defect knipperlicht van voertuigen en/of aanhanger wordt aangegeven door het versneld knipperen van de overige knipperlichten (volgens Europese richtlijn 76/756/EEC § 4.5 en StVZO § 54).

NL De werking van de C2-controle kan getest worden door een aanhanger (of testkast) aan te sluiten en met een losgedraaid knipperlicht richting aan te geven. De andere knipperlichten knipperen nu snel. (LET OP: een testkast waar uitsluitend LED's als belasting gebruikt worden, kan hiervoor niet worden gebruikt.)

13-pole wiring-harness kit with a C2 telltale.

A defective indicator light of the car or/and caravan/trailer is stated by a quicker flashing of the other indicator light (Following the European directive 76/756/EEC § 4.5 and StVZO § 54).

GB The functioning of the C2- telltale can be tested by connecting the trailer/caravan (or a test-box) and switching on the indicator lights with a removed indicator light. The other indicator lights will flash quicker. (ATTENTION: a test-box on which only LED's are being used, can not be used in this case).

Kit eléctrico de 13 polos con control C2.

Una luz de destellos defectuosa en vehículos con o sin remolque se indica mediante el parpadeo rápido de las restantes luces de intermitencia (según norma europea 76/756/EEC § 4.5 y Código de Circulación alemán (StVZO) § 54).

ES El funcionamiento correcto del control C2 puede comprobarse acoplando un remolque (o bien una caja de pruebas con luces de 21W) e indicando la dirección mediante una luz de destellos aflojada. Las restantes luces de destellos tendrán que parpadear rápidamente. (ATENCIÓN: para esta prueba no es posible utilizar una caja de pruebas en el que se empleen sólo LED como indicadores de carga.)

Set di cavi a 13 poli con controllo C2.

Un indicatore di direzione difettoso del veicolo e/o del rimorchio viene segnalato dal lampeggiare più rapido degli altri indicatori di direzione (in conformità con la direttiva europea 76/756/CEE § 4.5 e con lo StVZO § 54).

IT Il funzionamento del controllo C2 può essere testato agganciando un rimorchio (o una cassetta da test) e indicando la direzione con un indicatore di direzione svitato. Gli altri indicatori di direzione lampeggeranno allora più rapidamente. (ATTENZIONE: a tal scopo non può essere usata una cassetta da test su cui come carico siano utilizzati esclusivamente LED).

13-poliga kabelsatsar med C2 kontroll

En trasig blinkerlampa anges genom att de övriga blinkljusen blinkar snabbt (enligt europeiskt direktiv 76/756/EEC § 4.5 och StVZO § 54).

SE C2 kontroll funktion kan testas genom att koppla till en släpvagn (eller ett testskåp) och visa körriktning med en lösskruvad blinkerlampa. De andra blinkljusen blinkar nu snabbt. (OBS: ett testskåp där belastningen endast består av lysdioder kan inte användas för detta.)

13pólová elektrická souprava s ovládání C2.

Vadné směrové světlo vozidla a/nebo obytného přívěsu/návěsu je signalizováno rychlejším blikáním dalšího směrového světla (v souladu s evropskou směrnicí 76/756/EEC § 4.5 a StVZO § 54).

CZ Funkci ovládání C2 lze otestovat připojením návěsu /přívěsu (nebo testovacího boxu) a zapnutím směrových světel s jedním světlem vyjmutým. Další směrová světla budou blikat rychleji. (POZOR: v tomto případě nelze použít testovací box, ve kterém se používají pouze LED).

13-polet ledningsnetsæt med C2-kontrol.

Hvis der findes et defekt indikatorlys i bilen og/eller campingvognen og/eller anhængerens vises det ved at det andet indikatorlys blinker hurtigere (i overensstemmelse med det Europæiske direktiv 76/756/EEC § 4.5 og StVZO § 54). Funktionen af C2-kontrol kan testes ved at forbinde anhængerens/campingvognen (eller en testboks) og aktivere indikatorlysene med et indikatorlys aftaget. Det andet indikatorlys skal dermed blinke hurtigere. (BEMÆRK: man kan ikke benytte en testboks der kun har LED's til denne test).

DK

13-napainen kaapelisarja C2-valvonta.

Viallisesta vilkkulampusta ilmaistaan siten, että muut vilkkuvalot vilkkuvat nopeammin (noudattaen EU:n direktiivin 76/756/EU § 4.5 ja StVZO kohtaa § 54).

FI C2-valvonta toimintoja voi testata perävaunun (tai 21 W lamppuisen testilaitte) kanssa, irrottamalla yhden suuntavilkun polttimo ja kytkeväällä suuntavilkku päälle. Muut suuntavilkut alkavat vilkkua nopeammin. (HUOMIO: tähän tarkoitukseen ei saa käyttää testilaitte, jonka kuormituksena ovat ainoastaan ledit.)

Συνδέστε τον εξοπλισμό της πλεξούδας καλωδίων 13 πόλων με C2 έλεγχο. Ο ελαττωματικός λαμπτήρας των φλας του αυτοκινήτου ή/και του τροχόσπιτου/ρυμουλκού υποδηλώνεται από ένα πιο γρήγορο αναβόσβημα του άλλου λαμπτήρα των οργάνων ένδειξης (Ακολουθώντας τις Ευρωπαϊκές οδηγίες 76/756/EEC § 4.5 και StVZO § 54). Η λειτουργία του C2 έλεγχου μπορεί να δοκιμαστεί συνδέοντας το ρυμουλκό/τροχόσπιτο (ή ένα κιβώτιο δοκιμής) και ανάβοντας τα φώτα των οργάνων μέτρησης με έναν αφαιρούμενο λαμπτήρα οργάνων ένδειξης. Τα υπόλοιπα φώτα στα όργανα ένδειξης θα αναβόσβηνουν πιο γρήγορα. (ΠΡΟΣΟΧΗ: το κιβώτιο δοκιμής στο οποίο χρησιμοποιούνται μόνο LED, δεν μπορεί να χρησιμοποιηθεί σε αυτή την περίπτωση).

GR

13-pols kabelsett med C2-kontroll.

Et defekt blinklys vises ved at de øvrige blinklysene blinker raskt (i h. t. europeisk direktiv 75/756/EEC § 4.5 og StVZO § 54).

NO Effekten av C2-kontroll kan testes ved å koble til en tilhenger (eller testskap) og indikere retning med et løsskrudd blinklys. De andre blinklysene skal nå blinke hurtig. (NB: Et testskap der belastningen kun består av lysdioder kan ikke brukes til dette.)

13-stykowy zestaw okablowania z kontrola C2.

Uszkodzone światło wskaźnika w pojeździe/przyczepie jest sygnalizowane przez szybsze pulsowanie drugiego wskaźnika (zgodnie z dyrektywą europejską 76/756/EEC § 4.5 oraz StVZO § 54). Działanie kontrola C2 można przetestować przez podłączenie przyczepy (lub testera) i włączenie wskaźników przy wyjętej lampce wskaźnika. Pozostałe lampki wskaźnika będą pulsować szybciej. (PRZESTROGA: w tym przypadku nie można używać testera w którym używane są tylko diody LED).

PL